



# SERIES 10

## PRESSURE REDUCING REGULATOR

### FEATURES

- **3000 PSIG MAXIMUM INLET PRESSURE**
- **SEVEN OUTLET CONTROL RANGES:  
0-10, 0-25, 0-50, 0-100, 0-250, 0-500, & 0-1000 PSIG.**
- **BRASS, 316LSS, MONEL® OR HASTELLOY® BODY**
- **TEFZEL® SEAT / TEFLON® SEAL**
- **10 MICRON INLET FILTER**
- **1/4" NPTF PORTS std. MS, AN or SAE opt.**
- **TEMP RANGE: -40°F to +185°F.**
- **32 MICRO INCH FINISHED DIAPHRAGM CAVITY**



SERIES 10 SHOWN WITH OPTIONAL GAUGE AND GAUGE PORT

THE SERIES 10, SINGLE STAGE REGULATOR, OFFERS PRECISE PRESSURE CONTROL FOR GAS OR LIQUID SERVICE. EXCELLENT DOWNSTREAM STABILITY IS MAINTAINED BY ITS METAL DIAPHRAGM ASSEMBLY.

THERE ARE TWO ORIFICE SIZES FOR LOW TO MODERATE FLOW RATES. A STANDARD Cv FLOW COEFFICIENT OF .07 OR AN OPTIONAL Cv OF .24

A CHOICE OF BODY MATERIALS ASSURES OPTIMUM STREAM COMPATIBILITY. THE DIAPHRAGM ASSEMBLY IS OF THE SAME MATERIALS AS THE BODY<sup>①</sup>. ALL OTHER WETTED METALLICS ARE OF LIKE OR SUPERIOR MATERIALS TO THE REGULATOR BODY.

THE WIDE VARIETY OF PORT CONFIGURATIONS AND THREADS ALLOWS THE USER TO SPECIFY THE NUMBER, TYPE AND LOCATION OF PORTS ELIMINATING THE NEED FOR ADAPTERS OR PLUGS.

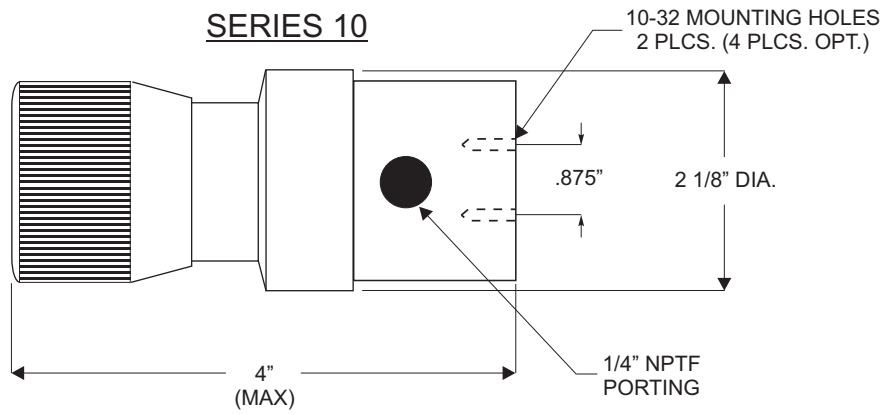
THIS REGULATOR CAN BE EQUIPPED WITH NUMEROUS FACTORY INSTALLED OPTIONS. PLEASE REFER TO THE OPTIONS CHART UNDER "ORDERING INFORMATION" ON THE REVERSE SIDE OF THIS PAGE.

① BRASS USES SS DIAPHRAGM. TITANIUM USES TANTALUM

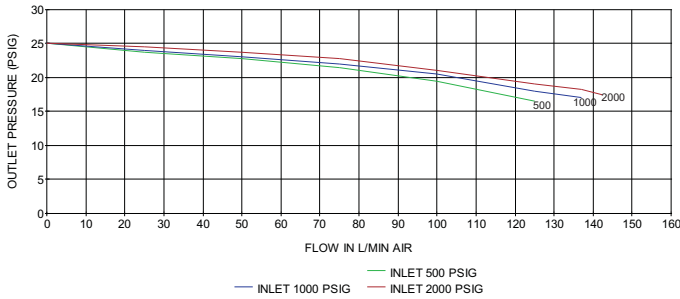
### APPLICATIONS

CALIBRATION EQUIPMENT  
PETRO / CHEMICAL INDUSTRY  
GAS & LIQUID SAMPLING  
PURGE / CARRIER GASES  
COMPONENT TESTING  
INDUSTRIAL CONTROLS

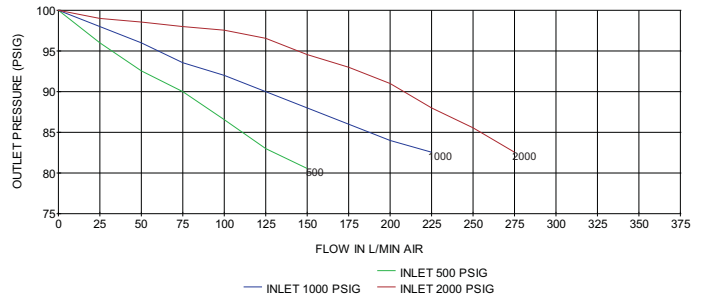
# SERIES 10



**SERIES 10**  
0-25 PSIG CONTROL RANGE W/.07Cv



**SERIES 10**  
0-100 PSIG CONTROL RANGE W/.07Cv



## ORDERING INFORMATION

\*example part number

10 - 1 4 3 K - 3

### SERIES

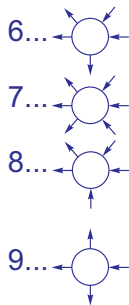
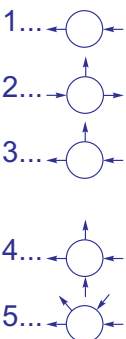
### BODY MATERIAL

- 1....BRASS
- 2....316L SS
- 3....MONEL®
- 4....HASTELLOY®

### CONTROL RANGE

- 1....0-10 PSIG
- 2....0-25 PSIG
- 3....0-50 PSIG
- 4....0-100 PSIG
- 5....0-250 PSIG
- 6....0-500 PSIG
- 7....0-1000 PSIG

### PORT CONFIGURATION



X... SPECIAL

○ ← =INLET      ○ → =OUTLET

### OPTIONS

- 1) panel mount
- 2) mounting bracket
- 3) .24 Cv
- 4) relief valve
- 5) N/A
- 6) chrome plating
- 7) elastomer diaphragm
- 8) dome loaded
- 9) MS threads
- 10) AN threads
- 11) SAE threads
- 12) contained vented bonnet
- 13) nuclear service
- 14) contained vented bonnet w/ panel mount
- 15) outlet valve (packed)
- 16) outlet valve (packless)
- 17 N/A
- 18) SS bonnet
- 19) welded connections
- 20) high temp service
- 21) 16 RMS finished diaphragm cavity
- 22) 8 RMS finished diaphragm cavity
- 23) KEL-F® seat
- 24) Vespel® seat

### GAUGES

- |              |      |            |      |
|--------------|------|------------|------|
| A) -30-0     | PSIG | N) 0-300   | PSIG |
| B) -30-0-15  | PSIG | O) 0-400   | PSIG |
| C) -30-0-30  | PSIG | P) 0-600   | PSIG |
| D) -30-0-60  | PSIG | Q) 0-800   | PSIG |
| E) -30-0-100 | PSIG | R) 0-1000  | PSIG |
| F) -30-0-200 | PSIG | S) 0-2000  | PSIG |
| G) -30-0-300 | PSIG | T) 0-3000  | PSIG |
| H) 0-15      | PSIG | U) 0-4000  | PSIG |
| I) 0-30      | PSIG | V) 0-5000  | PSIG |
| J) 0-60      | PSIG | W) 0-6000  | PSIG |
| K) 0-100     | PSIG | X) 0-10000 | PSIG |
| L) 0-160     | PSIG | Y) 0-15000 | PSIG |
| M) 0-200     | PSIG | Z) 0-20000 | PSIG |